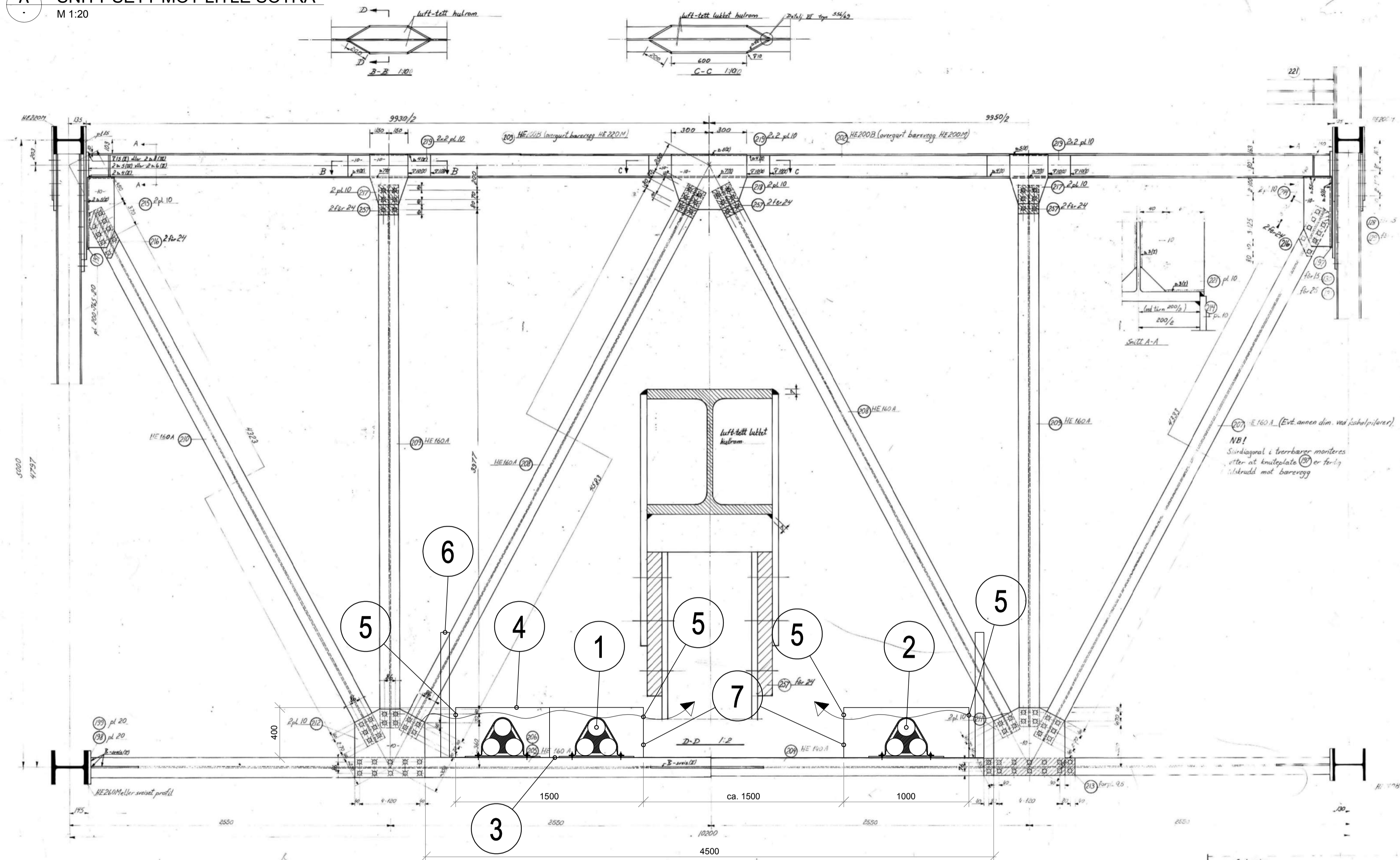
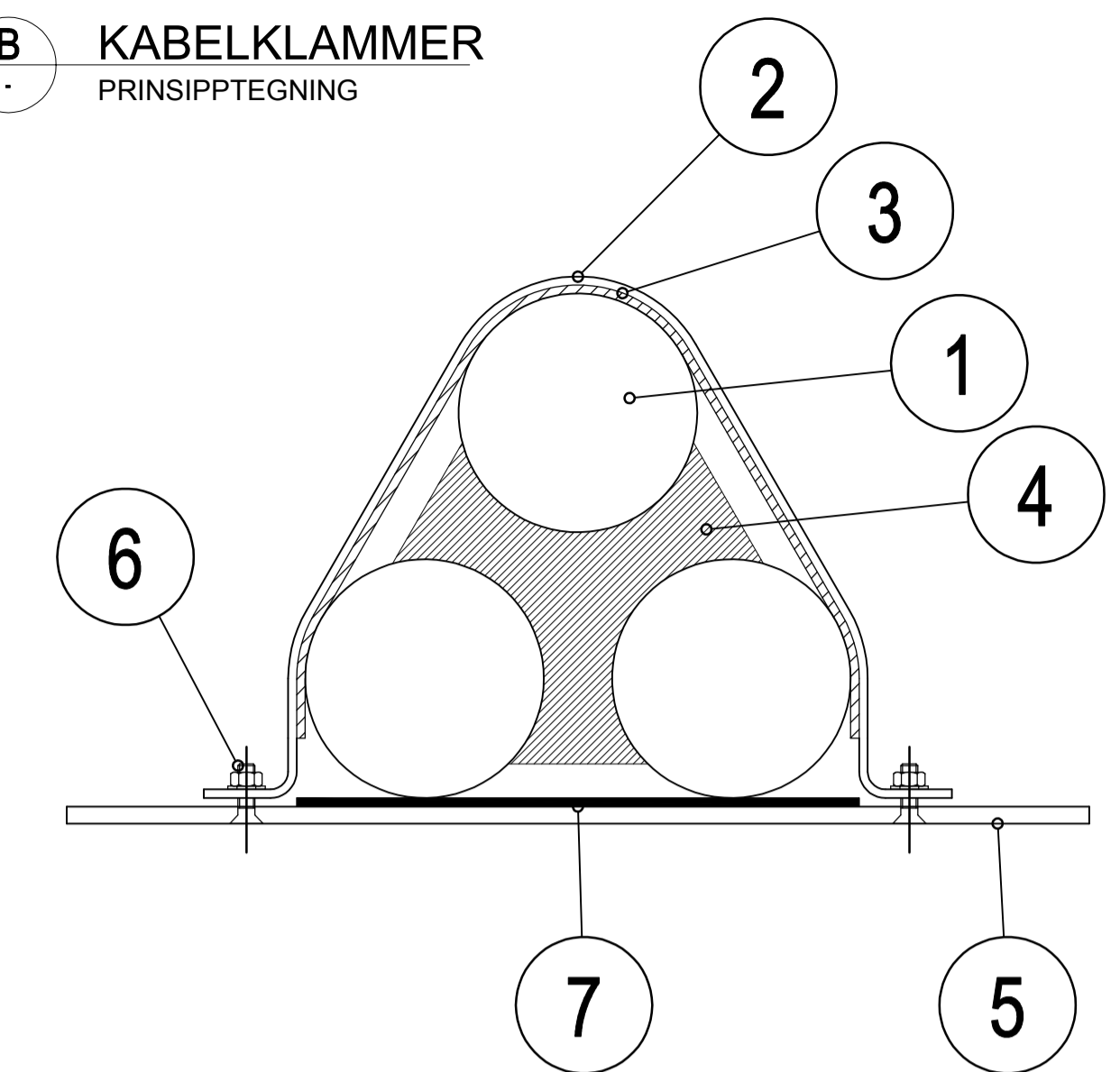


A SNITT SETT MOT LITLÉ SOTRA
M 1:20



SNITT SETT MOT LITLÉ SOTRA

B KABELKLAMMER
PRINSIPTEGNING



- 1 420 kV/145 kV PEX-KABEL
- 2 Kabelklammer aluminium f.eks. 5x50mm.
- 3 Gummiforing f.eks. 5x70mm.
- 4 Avstandsstykker i gummi.
- 5 Bundskinne i aluminium f.eks. 10x50mm.
- 6 Syrefast bolt
- 7 Gummiforing f.eks. 5x70mm

- 1 420 kV PEX kabler
- 2 145 kV PEX kabler
- 3 Strekkmetallrist el.
- 4 Aluminiumdeksel
- 5 Lufteåpninger
- 6 Rekkverk
- 7 Bærende aluminium el. stål profil

Rev.	Revision	Designed	Drafted	Approved	Date
Project					Scale
SOTRA BRU KABLING					1:500
Title					Drafted
PRINSIPTEGNING KABEL ARANGEMENT PÅ BRO					phS
KABELKLAMMER					Designed
					JES
					Checked
					ÅBJ
					Approved
					RGK
					Date
					04.05.2015
Contractor		BKK - SOTBRO-002			
Company's Drawing no.		BKK - SOTBRO-002			
Design responsible	Executing	Reason for publication	Sheet	Formet	Document no.
				A1	
This document is issued by means of a computerized system. The digitally stored original is electronically approved. The approved document has initials entered in the approved-field. A manual signature is not required.					